

MAST CLIMBER  
**Glide Rail**



## Scanclimber® Monorail

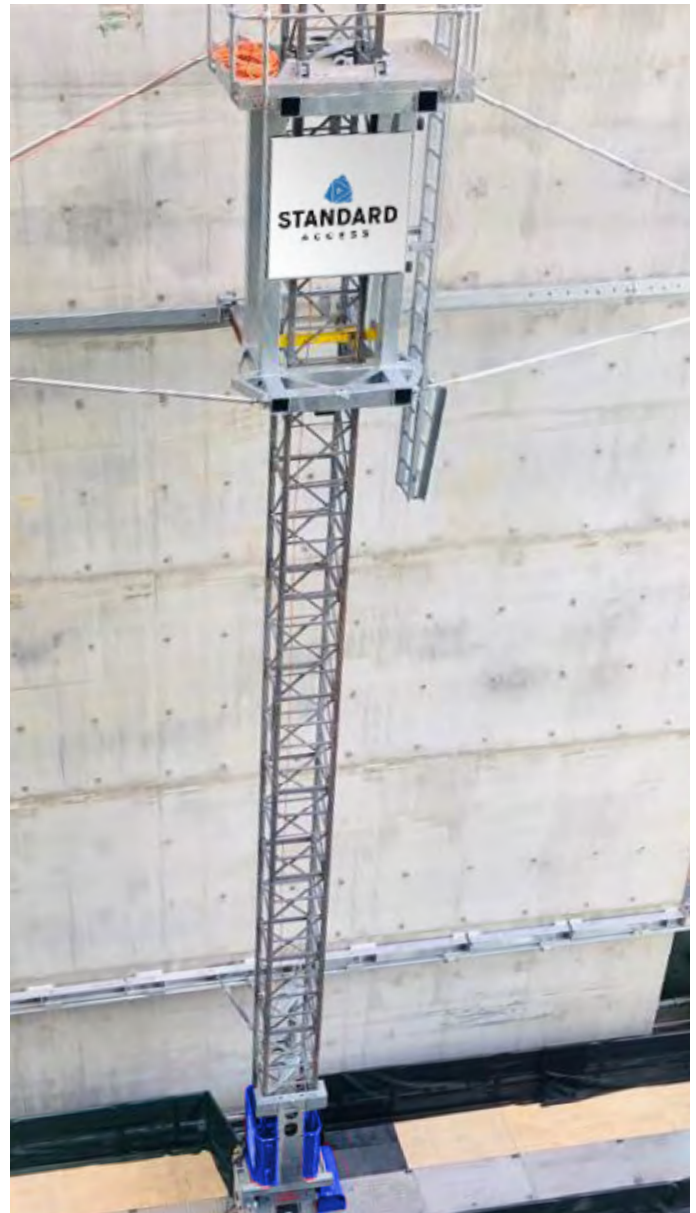
Standard Access are proud to offer monorail systems as an addition to our fleet of vertical access solutions. Standard Access monorail systems can either be used in conjunction with a mast climber or independently, as a fixed monorail attached to a structure. Monorail systems are extremely beneficial when alternative means of lifting are required outside of the common site tower crane and mobile crane methods. The major gains from using a monorail to lift and install your materials are the time efficiencies and the autonomy it creates for the users. Standard Access have both the mast climber glide rail and fixed monorail available.

## Glide Rail

The mast climber glide rail has a simple design and is easy to install. This add on glide-rail is compatible with all mast climbers from the SC5000, 6000, 8000 and 10000. The major benefits of the glide rail system are it's ability to be locked off and used at any location on the mast, and the ability to be self-climbed by the mast climber, meaning no added lifting assistance is required to lift and re-set the glide rail at the desired location. The glide rail comes with a fully autonomous hoisting system, made of a remote operated traverse trolley, remote operated hoist, cable and rope management system. The glide rail has the ability to be installed and removed manually in the absence of a crane.

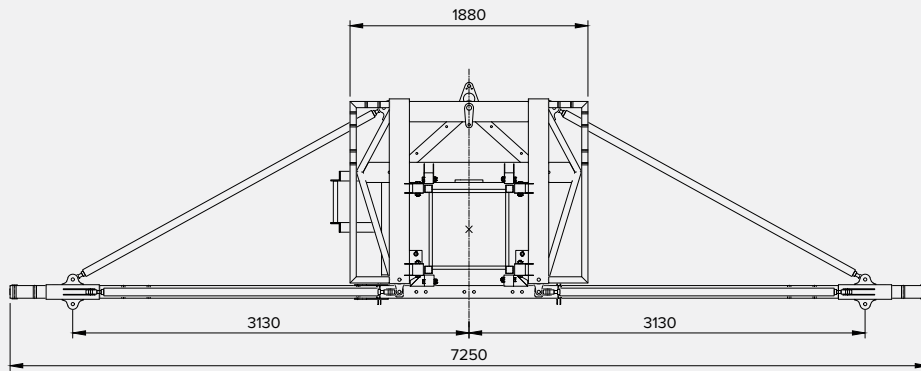
### Advantages

- Modular (up to 45m long)
- Compatible with both single and twin mast climbers
- Extension system to adjust lifting centre
- Installation and removal of façade panels
- No impact on the lifting capacity of the mast climber
- Remote operated hoisting system
- 1000kg capacity
- Up to 200m of rope
- Safety features

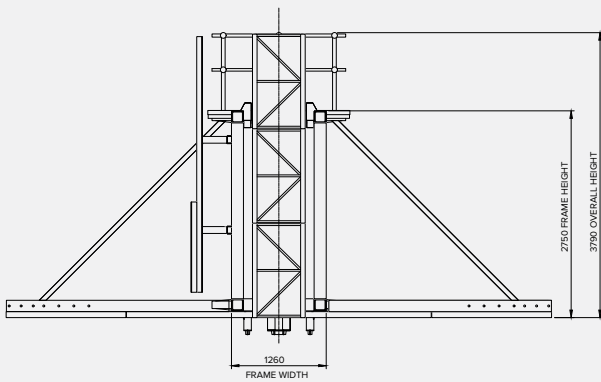


# Glide Rail

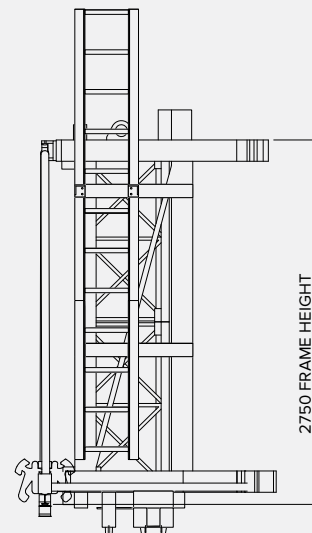
Mast Climber



PLAN VIEW



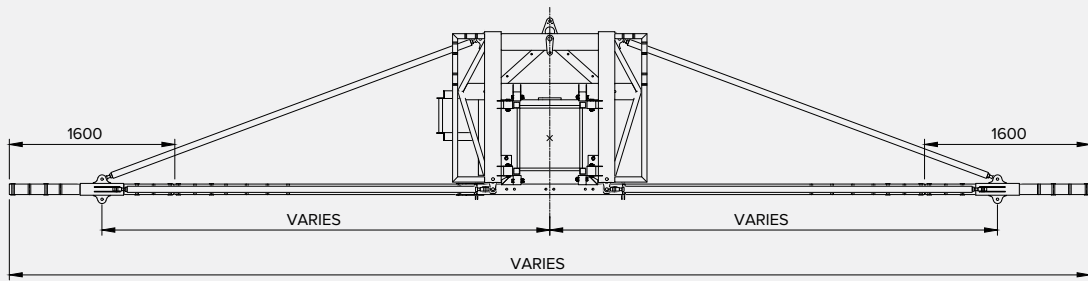
ELEVATION VIEW



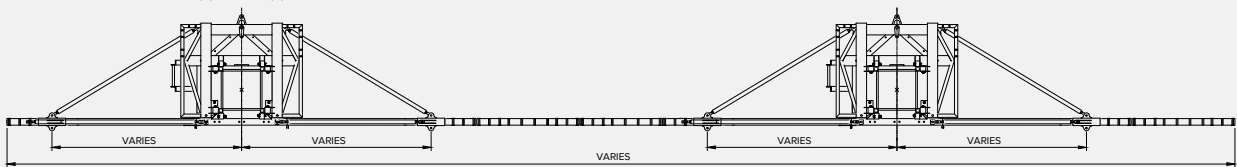
SIDE VIEW

# Glide Rail

Mast Climber



SINGLE GLIDE RAIL / MONORAIL



TWIN GLIDE RAIL / MONORAIL

# SCANCLIMBER®

**SCANCLIMBER** is the world's technology leader in mast climbing equipment for both temporary and permanent installations. The company has its corporate head office in Pirkkala, Finland and manufacturing in Gniezno, Poland. The company employs more than 200 staff in Europe and Asia. Scanclimber creates value for its customers with high quality, reliable and flexible vertical access solutions.

## Technical Data Glide Rail

Payload	600 kg max
Frame Height	2750 mm
Frame Width	1260 mm
Distance from Wall	145 - 1145 mm
Free Standing	Not allowed
Operation Temperature	-30°C to +40°C
Maximum Width	Single Platform: 16.9 m Twin Platform: 38.2 m
Applicable Mast Climber	SC5000, SC6000, SC8000, SC10000

### SPECIAL FEATURES

Self-climbs with the mast climber

Can be position (locked off) at any vertical location on mast

\*Data based on a standard configuration