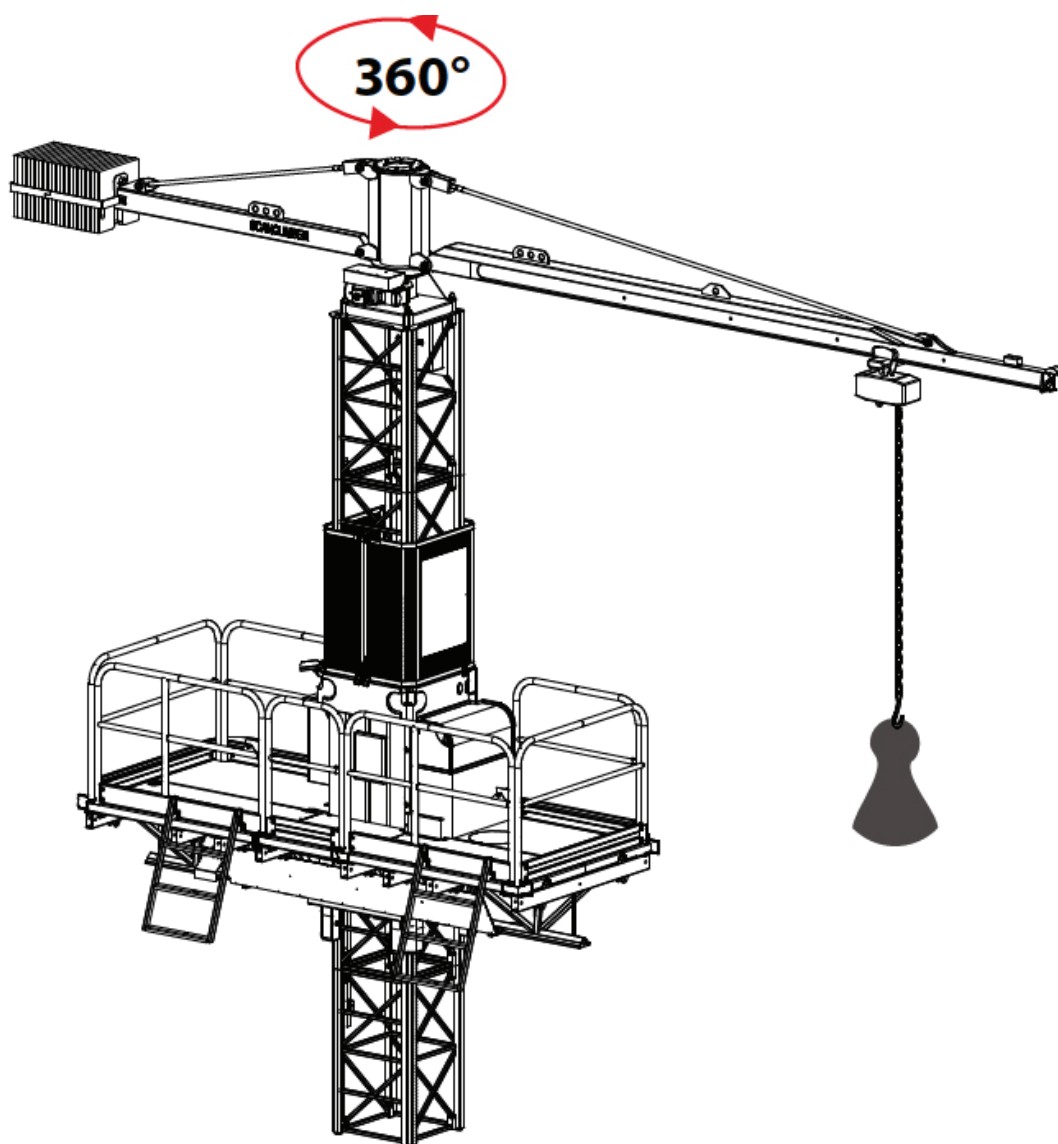


# SR

## SCANCLIMBER®

### MAST CLIMBER TOP CRANE



## Technical Data - Mast Climber Top Crane

Allowed payloads (including winch weight)	W/O Counterweight	W Counterweight
At 6 m	400 kg	900 kg
At 5 m	480 kg	1000 kg
At 4 m	600 kg	1000 kg
At 3 m	800 kg	1000 kg
At 2 m	1000 kg	1000 kg

MCTC Models Features	V1	V2	V3	V4	V5	V6
Crane arm	✓	✓	✓	✓	✓	✓
Counter Jib		✓		✓		✓
Counterweight		✓		✓		✓
Slewing motor			✓	✓	✓	✓
Manual trolley					✓	
Electrical trolley					(✓)	✓
Winch		1000 kg			✓	✓
Payload kg	500 kg		500 kg	1000 kg	500 kg	1000 kg

Scandclimber is the world's technology leader in mast climbing equipment for both temporary and permanent installations. The company has its corporate head office in Pirkkala, Finland and manufacturing in Gniezno, Poland. The company employs more than 200 staff in Europe and Asia. Scandclimber creates value for its customers with high quality, reliable and flexible vertical access solutions.

21-29 West Circuit,  
Sunshine West,  
3020 VIC, AUSTRALIA

P. +61 3 9312 6497  
E. [sales@scanrent.com.au](mailto:sales@scanrent.com.au)  
[www.scanrent.com.au](http://www.scanrent.com.au)

